

#81592 - HD v2 Wing Mounts for the ARRMA 6S EXB v2 (replaces the wing mounts from ARRMA #AR320758)

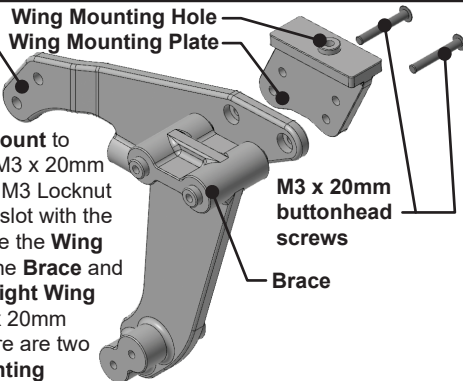
What's Included: 2 - Wing Mounts, 2 - Wing Mounting Plates, 1 - Brace, 1 - Skid Plate, 4 - M4 x 16mm flathead screws, 4 - M3 x 20mm buttonhead screws and 4 - M3 x 14mm buttonhead screws.

Before You Begin: Remove your stock wing and wing mounts. Before beginning **Step #3**, remove the 4 - M4 x 12mm flathead screws securing the ARRMA #AR310854 Gearbox Case to the chassis. These four screws may be discarded since they will not be reused.

Step #1

Right Wing Mount

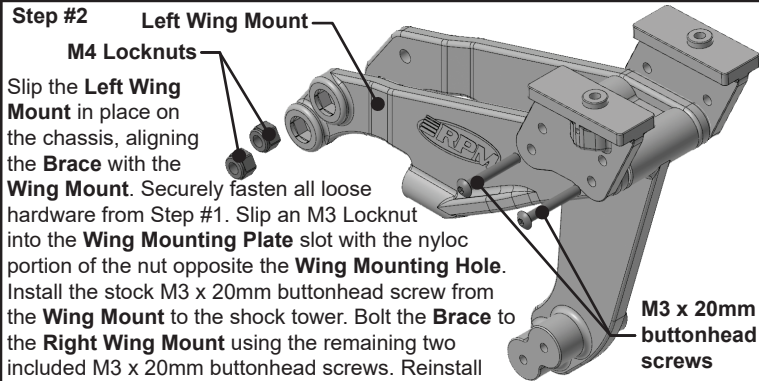
Loosely install the **Right Wing Mount** to the chassis using the stock M4 x 37mm screws. Bolt the **Right Wing Mount** to the shock tower using a stock M3 x 20mm buttonhead screw. Slip a stock M3 Locknut into the **Wing Mounting Plate** slot with the nyloc portion of the nut opposite the **Wing Mounting Hole**. Loosely bolt the **Brace** and **Wing Mounting Plate** to the **Right Wing Mount** using the included M3 x 20mm buttonhead screws. **Note:** There are two sets of holes in the **Wing Mounting Plate**. The lower holes mimic the stock wing position.



Step #2

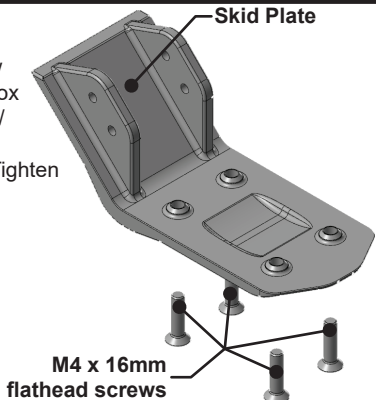
Left Wing Mount

Slip the **Left Wing Mount** in place on the chassis, aligning the **Brace** with the **Wing Mount**. Securely fasten all loose hardware from Step #1. Slip an M3 Locknut into the **Wing Mounting Plate** slot with the nyloc portion of the nut opposite the **Wing Mounting Hole**. Install the stock M3 x 20mm buttonhead screw from the **Wing Mount** to the shock tower. Bolt the **Brace** to the **Right Wing Mount** using the remaining two included M3 x 20mm buttonhead screws. Reinstall your wing using the stock M3 x 12mm screws and stock wing washers.



Step #3

Flip the vehicle over to access the screw holes for the ARRMA #AR310854 gearbox case. Bolt the **Skid Plate** to the chassis / gearbox case using the four included M4 x 16mm flathead screws. **Caution:** Tighten until snug only, no further.



Step #4

Bolt the **Skid Plate** to the **Brace** using the 4 included M3 x 14mm buttonhead screws.

Note: Replacement Skid Plates are **RPM #81752**. **RPM** highly recommends replacing the skid plate once the skid ribs are worn off. Running HD v2 Wing Mounts with a worn out Skid Plate will invalidate the warranty.

Optional Wheelie Bars: **RPM #72162 HD Wheelie Bars** are a perfect fit with your new HD v2 Wing Mounts.

