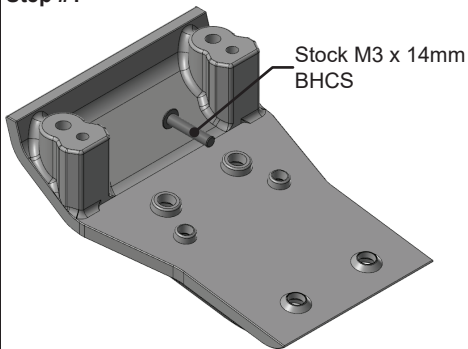


## #72352 - Front Skid Plate for the Associated Rival MT8

**What's Included:** 1 - Front Skid Plate & 2 - M4 x 18mm Flathead Screws (FHCS)

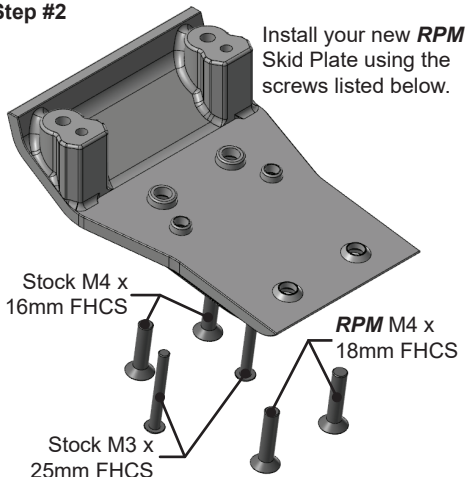
**Before You Begin:** Remove the stock Associated #25903 skid plate. Retain all screws removed for assembly with your new **RPM** skid plate. Remove the rear two M4 x 14mm FHCS holding the gearbox (Associated #25908) to the chassis. These screws may be discarded.

### Step #1



Reinstall the stock M4 x 14mm BHCS into the stock #25910 arm mount cover before bolting your new **RPM** Skid Plate in place.

### Step #2



Once the Skid Plate is bolted in place, reinstall the front bumper / bumper support braces using stock screws and lock nuts.