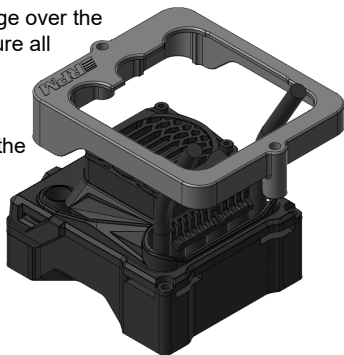


## #70282 ESC Cage for the Castle Cobra8 ESC. Fits the Traxxas Revo 2.0, UDR & Sledge.

**What's Included:** 1 - Base Plate, 1 - Top Cage, 1 - Flat Plate Switch Mount, 1 - Offset Switch Mount, 2 - M3 x 25mm Buttonhead Screws, 2 - M3 x 16mm Flathead Screws & 2 - M2 x 10mm Caphead Screws.

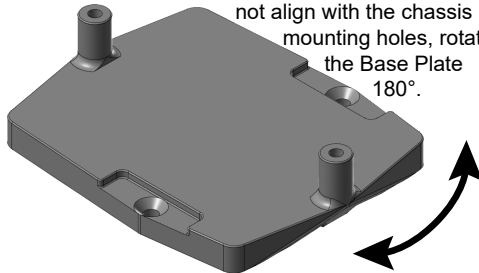
### Step #1

Slip the Top Cage over the ESC, making sure all wires, including the On / Off switch are routed through the opening in the Top Cage.



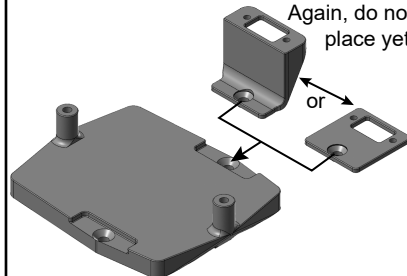
### Step #2

Set the Base Plate in the location of your original ESC. It will only fit one way in the Revo 2.0, UDR and Sledge. Do not bolt in place just yet. If it does not align with the chassis mounting holes, rotate the Base Plate 180°.



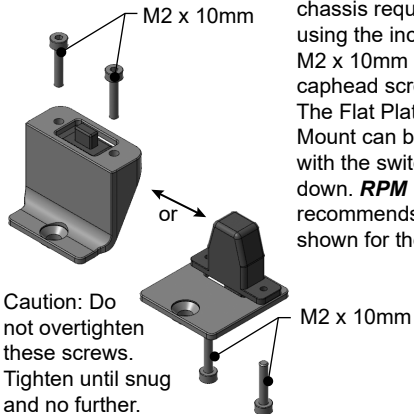
### Step #3

Determine which Switch Mount your chassis requires. The UDR will use the Flat Plate, while the Revo 2.0 and Sledge use the Offset Switch Mount. Again, do not bolt in place yet.



### Step #4

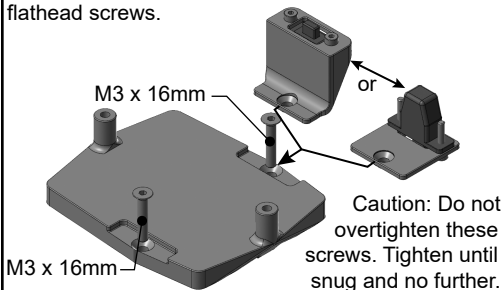
Bolt the On/Off switch to the Switch Mount your chassis requires using the included M2 x 10mm caphead screws. The Flat Plate Switch Mount can be used with the switch up or down. **RPM** recommends as shown for the UDR.



Caution: Do not overtighten these screws. Tighten until snug and no further.

### Step #5

Before bolting the Base Plate / Switch Mount onto the chassis, review how you'd like to route the wires, especially the receiver leads. In some cases, the best route may send the wires beneath the Base Plate. Then, bolt the Switch Mount and Base Plate to the chassis using the included M3 x 16mm flathead screws.



Caution: Do not overtighten these screws. Tighten until snug and no further.

### Step #6

Bolt the Top Cage to the Base Plate using the included M3 x 25mm buttonhead screws. The ESC and Top Cage may be rotated 180° to change the orientation of the ESC.

