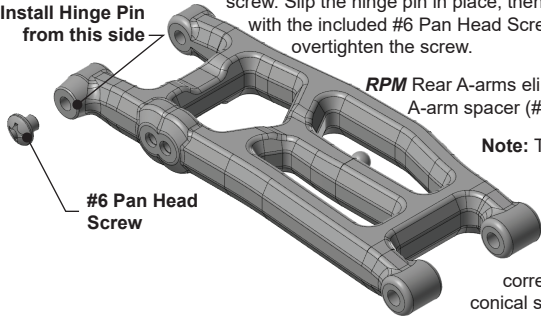


## #72172 Associated Pro2 SC10 & Related Model Rear A-arms

**Installation Notes:** Swapping your stock A-arms with your new *RPM* A-arms is as simple as remove and replace, with only one easy difference. *RPM* A-arms do not have a hole for an offset screw to retain the outer hinge pins. Instead, we use an in-line screw. Slip the hinge pin in place, then follow the hinge pin with the included #6 Pan Head Screw. **Caution:** Do not overtighten the screw.

**Install Hinge Pin  
from this side**



*RPM* Rear A-arms eliminate the inner A-arm spacer (#71015).

**Note:** The outer hinge pin will only go in from one side of the A-arm. Do not try to force it in from the wrong side. The correct side is from the conical side of the arm.