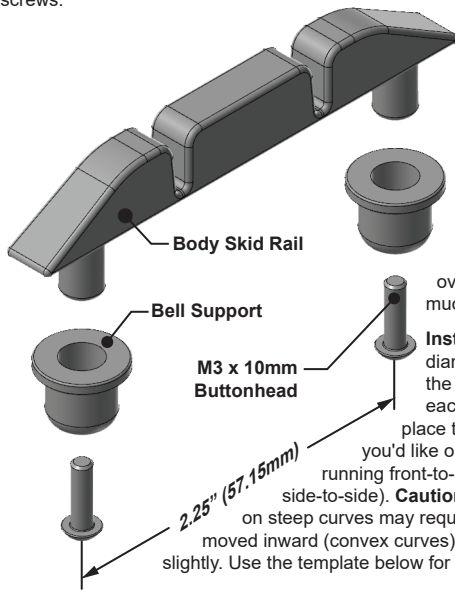


#70592 Body Skid Rails

What's Included: 2 - Body Skid Rails, 4 - Bell Supports, 4 - M3 x 10mm buttonhead screws.



Body Skid Rail

Bell Support

M3 x 10mm
Buttonhead

2.25" (57.15mm)

Positioning: *RPM* Body Skid Rails can be mounted on any featureless flat or curved surface with a minimum of 3" (76.2mm) of open area on top of the body and at least 1/2" (12.7mm) of clearance under the body. Check full suspension compression in areas above the tires. The slots on the Body Skid Rails allow them to flex over curved areas, making them much more versatile.

Installation: 1) Two 1/4" (6.35mm) diameter holes must be drilled in the body 2.25" (57.15mm) apart for each Body Skid Rail. You may place the Body Skid Rails anywhere you'd like on the body of your vehicle, running front-to-back (do not install side-to-side). **Caution:** placing the Body Skid Rails on steep curves may require the hole positions to be moved inward (convex curves) or outward (concave curves) slightly. Use the template below for more precise placement.

2) Slip the Body Skid Rails in place on the outside of the body, with the round bosses dropping through the body.

3) From inside the body, slip the Bell Supports over the round bosses of the Body Skid Rails, then secure using the included M3 x 10mm button head screws. **Caution:** Tighten until snug, no further.

Notes: *RPM* Body Skid Rails are symmetrical. If one side starts to wear too much, simply flip it around for increased use and longevity.

