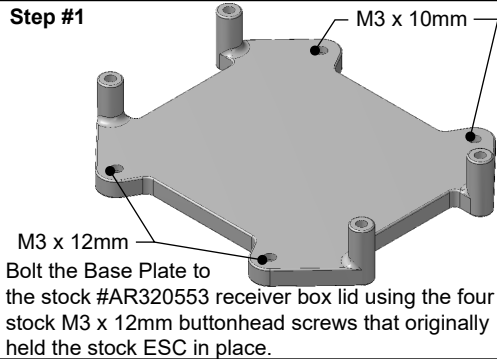


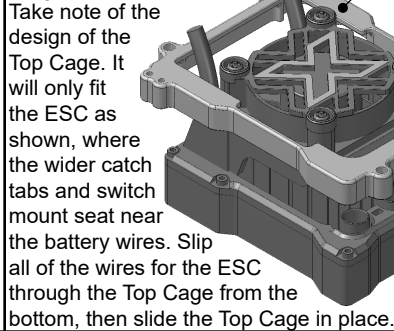
## #70412 ESC Cage for Castle Mamba-X 8S ESCs & the ARRMA Kraton 8S & Outcast 8S

**What's Included:** 1 - Base Plate, 1 - Top Cage, 1 - Switch Mount Base, 1 - Switch Mount Top, 4 - M3 x 16mm Buttonhead Screws & 4 - M2 x 8mm Flathead Screws.

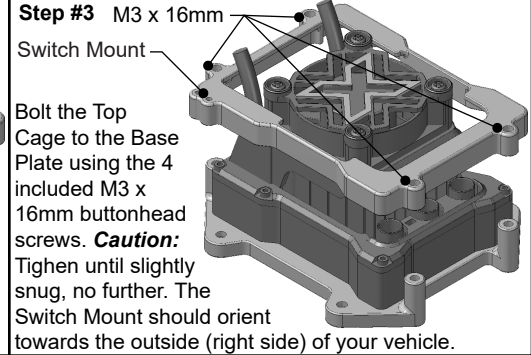
### Step #1



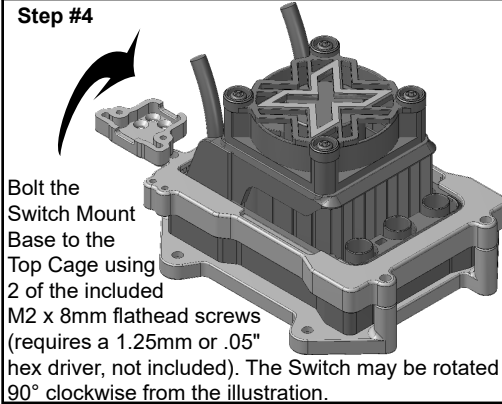
### Step #2



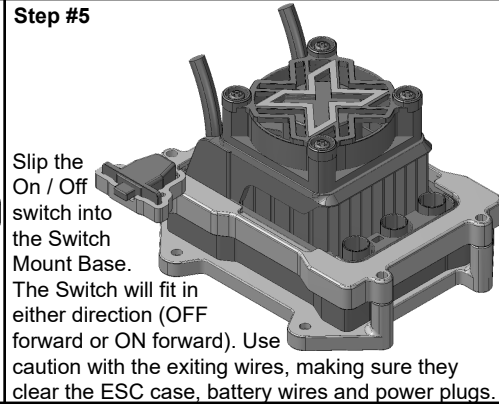
### Step #3



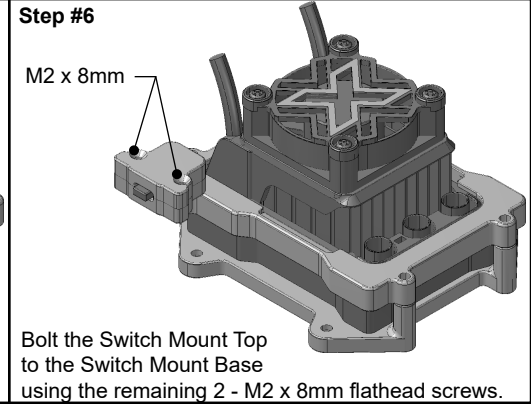
### Step #4



### Step #5



### Step #6



The *RPM* ESC Cage is very versatile and can be mounted practically anywhere given enough space to drill & tap four 3mm mounting holes and fit the base plate.

**Troubleshooting:** Most interference issues can be resolved by rotating the ESC / Top Cage ass'y 180° or by relocating the Switch Mount to the alternate position.