

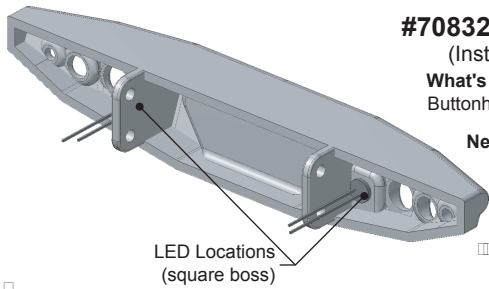
## #70832 & #70835 - Rear Bumper for the Traxxas Stampede 2wd

(Installation *without* a Wheelie Bar - turn over for Wheelie Bar Installation)

**What's Included:** 1 - Rear Bumper, 2 - Bumper Supports, 4 - Stepped Spacers, 8 - M3 x 20mm Buttonhead Screws, 4 - M3 x 12mm Buttonhead Screws & 4 - 3mm Lock Nuts.

**Needed for Installation:** The *RPM* Rear Bumper for the Traxxas Stampede 2wd does not include a bumper mount. You will need an *RPM* #80902 Bumper Mount, a Traxxas #3677 Bumper Mount or a Traxxas #3678 Wheelie Bar that includes the bumper mount. Any of these options will work but for the best performance, we recommend the *RPM* #80902.

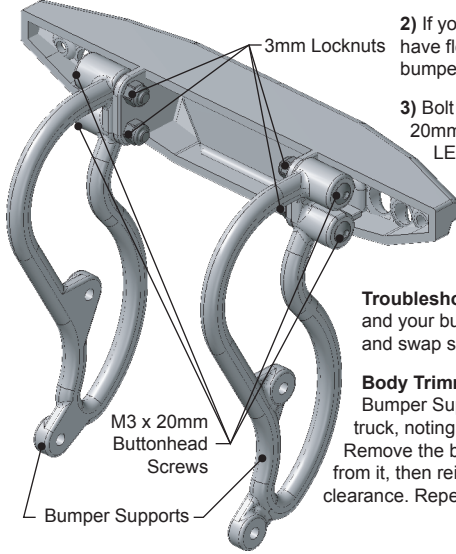
**Optional:** The *RPM* Rear Bumper can accommodate 2 - 5mm LEDs if you choose but are not required. LEDs lights are not included.



**Before You Begin:** Install your preferred bumper mount to your Stampede, then determine if you intend to install LEDs in the bumper (not included). The 4 included Stepped Spacers are not needed for installations without a Wheelie Bar. Store them for possible later use.

### Installation (no Wheelie Bar):

1) If you haven't already done so, install your *RPM* #80902 or Traxxas #3677 per the instructions that came with your preferred mount before proceeding.



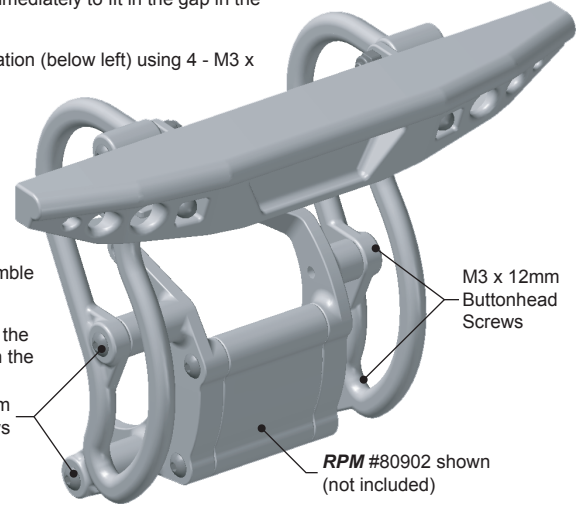
2) If you intend to install 5mm LEDs in the bumper, slip them in place in the locations shown in the Illustration above. Make sure you have flexible wire running to the LEDs since the wire must bend immediately to fit in the gap in the bumper mounts.

3) Bolt the Bumper Supports to the Bumper as shown in the Illustration (below left) using 4 - M3 x 20mm Buttonhead Screws and 4 - 3mm Locknuts. If you installed LEDs, carefully run the wires between the upper bumper mounting bosses.

4) Refer to the Illustration to the right. Bolt the assembly to your *RPM* #80902 Bumper Mount (or Traxxas bumper mount) using 4 - M3 x 12mm Buttonhead Screws.

**Troubleshooting:** If there is a large gap between the bumper supports and your bumper mount, your supports are on the wrong side, disassemble and swap sides to correct the problem.

**Body Trimming:** Some trimming of the body will be necessary to clear the Bumper Supports. Install the Bumper Assembly, then place the body on the truck, noting where the body touches the supports. Remove the body, carefully trim a small amount from it, then reinstall the body and check for clearance. Repeat until the body clears the supports.



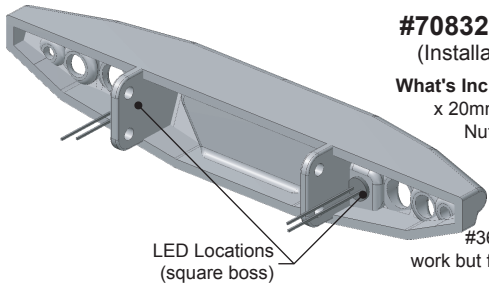
## #70832 & #70835 - Rear Bumper for the Traxxas Stampede 2wd

(Installation *with* a Wheelie Bar - turn over for Installation without a Wheelie Bar)

**What's Included:** 1 - Rear Bumper, 2 - Bumper Supports, 4 - Stepped Spacers, 8 - M3 x 20mm Buttonhead Screws, 4 - M3 x 12mm Buttonhead Screws & 4 - 3mm Lock Nuts.

**Needed for Installation:** The *RPM* Rear Bumper for the Traxxas Stampede 2wd does not include a bumper mount. You will need an *RPM* #80902 Bumper Mount, a Traxxas #3677 Bumper Mount or a Traxxas #3678 Wheelie Bar that includes the bumper mount. Any of these options will work but for the best performance, we recommend the *RPM* #80902.

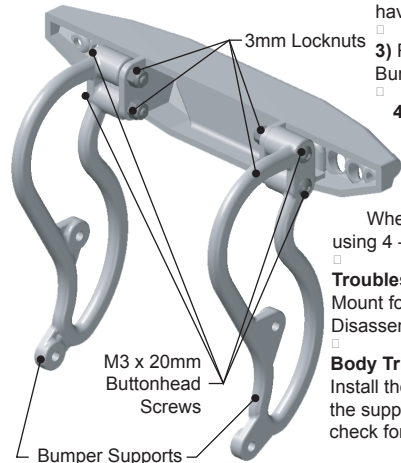
**Optional:** The *RPM* Rear Bumper can accommodate 2 - 5mm LEDs if you choose but are not required. LEDs lights are not included.



**Before You Begin:** Install your preferred bumper mount to your Stampede, then determine if you intend to install LEDs in the bumper (not included).

### Installation (with a Traxxas #3678 Wheelie Bar):

1) If you haven't already done so, install your *RPM* #80902 Bumper Mount now. If you intend to run the mount that came with your Traxxas Wheelie bar, install it now, then remove the Wheelie Bar from the mount via the 4 shoulder screws (2 on each side). You may discard these 4 screws since they will not be used for this bumper.



2) If you intend to install 5mm LEDs in the bumper, slip them in place in the locations shown in the Illustration (above left). Make sure you have flexible wire running to the LEDs since the wire must bend immediately to fit in the gap in the bumper mounts.

3) Refer to Illustration to the left. If you installed LED's, carefully run the wires between the upper bumper mounting bosses, then bolt the Bumper to the Bumper Supports using 4 - M3 x 20mm Buttonhead Screws and 4 - 3mm Locknuts.

4) Refer to the Illustration (above right). Slip each of the 4 included Stepped Spacers into the holes of your Traxxas Wheelie Bar where the shoulder screws were that you removed in Step #1.

5) Refer to the Illustration to the right. Align the mounting arms of your Wheelie Bar with the Bumper Mount, then align the Bumper Assembly with the Bumper Mount and Wheelie Bar. Bolt the Bumper Assembly and Wheelie Bar to the *RPM* #80902 Bumper Mount using 4 - M3 x 20mm Buttonhead Screws.

**Troubleshooting:** If there isn't a space between the Bumper Supports and the Rear Bumper Mount for the Wheelie Bar, your Bumper Supports are bolted to the wrong sides of the bumper. Disassemble and swap sides to correct the problem.

**Body Trimming:** Some trimming of the body will be necessary to clear the Bumper Supports. Install the Bumper Assembly, then place the body on the truck, noting where the body touches the supports. Remove the body, carefully trim a small amount from it, then reinstall the body and check for clearance. Repeat until the body clears the supports.

