

#73952 - Spare Tire Carrier for the Traxxas Slash 2wd or Slash 4x4

What's Included: 1 - Support Loop (A), 1 - Tire Mount (B), 1 - 4x4 Rear Brace (C), 1 - 2wd Rear Brace (D), 1 - 2wd Shock Tower Adapter (E), 2 - 2wd Front Braces (F), 2 - 4x4 Front Braces (G), 9 - M3 x 12mm buttonhead screws, 3 - M3 x 25mm buttonhead screw, 4 - M2.5 x 20mm sockethead screws & 2 - #8 x 1/2" Phillips screws (1 needed, 1 will be a spare).□

Important Notes: This Spare Tire Carrier only works with **RPM** rear bumpers for the Slash 2wd (#81002, #81003 or #81005) and Slash 4x4 (#80122, #80123 or #80125). It will not work with stock or any other aftermarket bumpers. If you purchased an **RPM** bumper at the same time as your new Spare Tire Carrier, please follow those instructions and install the bumper now. The following instructions assume an **RPM** rear bumper has been correctly installed prior to beginning the assembly of the **RPM** Spare Tire Carrier.□

Slash 4x4 Assembly: Before you begin, remove & discard all 2wd components to eliminate confusion (parts "D", "E", "F", 4 - M2.5 x 20mm screws and 2 - M3 x 12mm screws).

- 1) Bolt the Tire Mount (B) to the Support Loop (A) at the front center mounting boss (i) using an M3 x 12mm buttonhead screw (the front of the Support Loop [A] has 3 mounting bosses while the rear has only one).
- 2) Next, bolt the 4x4 Rear Brace (C - identified as a narrow, straight tube brace. The angled, fat rib brace is for the 2wd Slash) to the Tire Mount (B) and Support Loop (A) using an M3 x 25mm buttonhead screw. The rib (ii) of the Rear Brace (C) should butt against the Tire Mount (B).
- 3) Take note of the direction of the 4x4 Front Brace (G) in the illustration. Bolt the 2 - 4x4 Front Braces (G) to the Support Loop (A) in the outer two mounting bosses (iii) using M3 x 12mm buttonhead screws.
- 4) Take note of the **RPM** rear bumper and locate the upper wheelie bar / mud flap screw hole (iv) and the upper bumper mount hole (v). Remove and discard the 2 upper bumper mount screws (v) from the original bumper installation. Using the 2 remaining M3 x 25mm buttonhead screws, bolt the 4x4 Front Braces (G) to the upper bumper mount holes (v).
- 5) Using 2 - M3 x 12mm buttonhead screws, bolt the assembly through the wheelie bar / mud flap screw holes (iv) and into the Rear Brace (C).□

Slash 2wd Assembly: Before you begin, remove and discard all 4x4 components to eliminate confusion (parts "C", "G" & 2 - M3 x 25mm buttonhead screws).

- 1) Take note of the **RPM** rear bumper and locate the upper wheelie bar / mud flap screw hole (iv) and the upper bumper mount hole (v). Remove the 2 upper bumper mount screws (v) from the original bumper installation and rotate the bumper rearward to access the 4 stock screws that hold the rear body mounts on to the shock tower. Remove and discard those four screws after noting their positions.
- 2) Butt the 2wd Shock Tower Adapter (E) against the body mounts in the same location as those screws and, using the included 4 - M2.5 x 20mm sockethead screws, bolt the 2wd Shock Tower Adapter (E) to the body mounts / shock tower, then rotate the bumper back in place, then reinstall and tighten the bumper mount screws.
- 3) Bolt the Tire Mount (B) to the Support Loop (A) at the center post (i) using an M3 x 12mm buttonhead screw (the front of the Support Loop [A] has 3 mounting bosses while the rear has only one).
- 4) Next, bolt the 2wd Rear Brace (D - identified as the angled, fat rib brace. The straight tube is for the 4x4 Slash) to the Tire Mount (B) and Support Loop (A) using an M3 x 25mm buttonhead screw. The rib (ii) of the Rear Brace (D) should butt against the Tire Mount (B).
- 5) Take note of the direction of the 2wd Front Brace (F) in the illustration. Bolt the 2 - 2wd Front Braces (F) to the Support Loop (A) in the outer two mounting bosses (iii) using M3 x 12mm buttonhead screws.
- 6) Bolt the 2wd Rear Brace (D) to the rear bumper at the upper wheelie bar / mud flap screw hole (iv) using 2 - M3 x 12mm buttonhead screws.
- 7) Finish the installation by bolting the 2wd Front Braces (F) to the 2wd Shock Tower Adapter (E) at the side bolt holes (vi) using 2 - M3 x 12mm buttonhead screws.□

Accessory Considerations: The **RPM** Rear Bumper (not included) may be used with **RPM** Mud Flaps (#81012) and / or our Low Visibility Wheelie Bars (#81312). However, the M3 x 12mm screws used to secure the Rear Brace (C or D) to the rear bumper will need to be changed according to the accessories used. Use a minimum of an M3 x 18mm buttonhead screw for a single accessory or M3 x 25mm buttonhead screws for both accessories (additional screws not included).□

Wheels & Tires: This **RPM** Spare Tire Carrier requires one wheel & tire (not included). The only acceptable wheel with the correct offset is 2.2"/3.0" diameter Slash 4x4 (F-R) or Slash 2wd (R) with a 12mm hex or **RPM** Spline Drive wheels (#82332 - black or #82333 - chrome). Tires must be short course specific. Install the assembled wheel & tire on the Tire Mount (B) and bolt it on using 1 - #8 x 1/2" Phillips screw. When installing the wheels on to the Spare Tire Carrier, do not use adapters!□

Body Modification: The body will need to be cut to clear the tire. The minimum width and length of cut will be subjective depending upon the body run but use caution and do not cut too much away near the body posts. It will be a close fit. Feel free to allow the body to touch the tire if need be to maximize material around the body mount posts.□

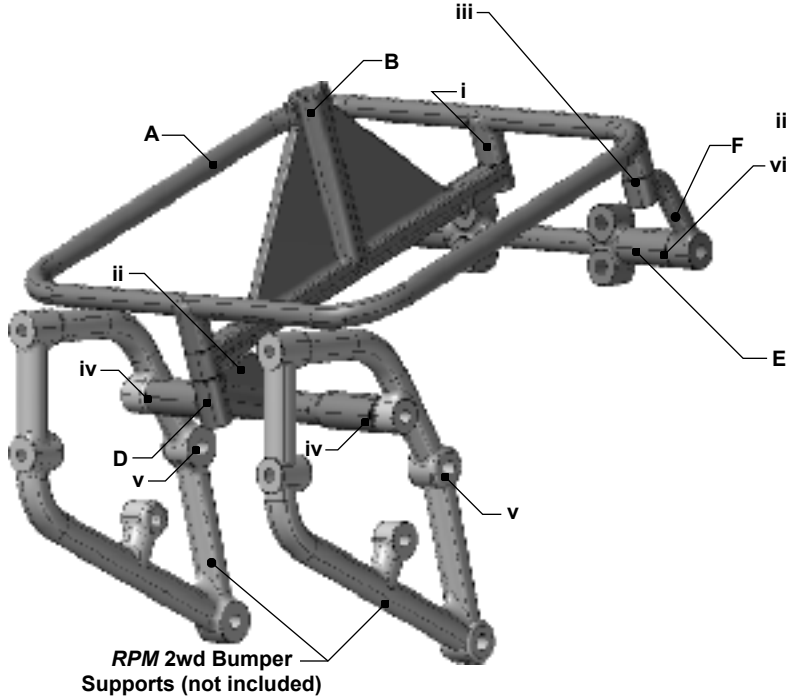
Warranty Considerations: Wheels & tires must be installed as instructed to satisfy **RPM** warranty guidelines. Do not run the Spare Tire Carrier without the wheel & tire in place.

#73952 - Spare Tire Carrier for the Traxxas Slash 2wd & Slash 4x4

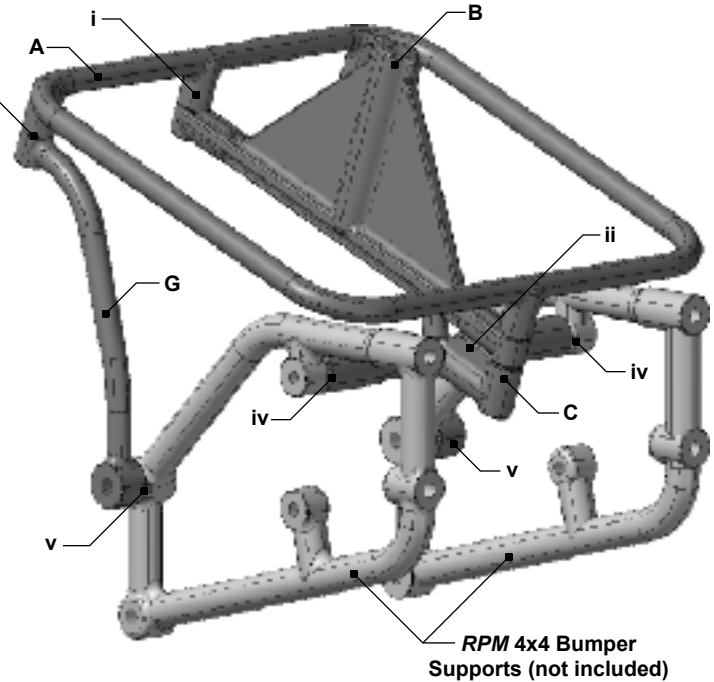
(Please carefully review the reverse side of this instruction sheet for complete installation instructions)

Slash 2wd Assembly

(body mounts not shown for clarity)



Slash 4x4 Assembly



Letters (A) Support Loop, (B) Tire Mount, (C) 4x4 Rear Brace, (D) 2wd Rear Brace, (E) 2wd Shock Tower Adapter, (F) 2wd Front Braces & (G) 4x4 Front Braces.

Roman (i) Support Loop to Tire Mount, (ii) Rear Brace rib orientation, (iii) Front Brace to Support Loop, (iv) Rear Brace to rear bumper upper mud flap mount, (v) 4x4 Front Brace to 4x4 rear bumper upper mount & (vi) 2wd Front Brace to 2wd Shock Tower Adapter.

Numerals